

# KF T120



Kitchen fans

Caisson de ventilation

Küchenabluftboxen

Кухонные вентиляторы



Kitchen exhaust units are used for installation where the air is slightly greasy or the air temperature is up to 120°C. Unit has a swing-out door for easy inspection and service. The direction of the door opening is from left to right. The fan is isolated from the casing via connectors and anti-vibration mounts.

Impellers: forward-curved blades made of galvanized sheet steel.

Motor: Maintenance free, speed controllable, motors safety class IP 55, On/Off safety switch.

Housing: The casing is manufactured from double-skinned galvanized steel and is insulated with 50 mm mineral wool.



Küchenabluftboxen sind zur Förderung von fetthaltiger oder heißer (bis 120°C) Luft geeignet. Die Türen sind ausschwenkbar für leichte Service und Inspektion. Die Türen öffnen sich von links nach rechts. Inklusive Montagerahmen mit Schwingungsdämpfer.

Laufrad aus verzinktem Blech, rückwärts gekrümmt  
Motor: wartungsfrei, Motorschutz IP55, eingebaute Reparaturschalter

Gehäuse doppelwandig, aus verzinktem Blech, Schall- und Wärmedämmung 50mm.



Caisson de ventilation adapté pour l'extraction de l'air légèrement gras des cuisines dont la température maximum est de 120°C. Il dispose d'une porte swing-out pour faciliter le contrôle et l'entretien. La direction de l'ouverture de la porte est de gauche à droite. Le ventilateur est isolé du boîtier via des connecteurs et des supports anti-vibration. Turbine à aubes en tôle d'acier galvanisé inclinées en avant. Moteur ne nécessite pas d'entretien, vitesse réglable, protection IP 55, interrupteur de proximité.

Double paroi en acier galvanisé avec isolation en laine minérale de 50 mm.



Кухонные вытяжные вентиляторы для систем вентиляции, устанавливаются в системы, где воздух немножко загрязнен или температура достигает 120°C. Вентилятор имеет двери, для удобного осмотра и обслуживания. Направление открытия двери - слева на право.

Вентилятор изолирован от корпуса с помощью соединителей и имеет антивибрационные крепления.

Крыльчатка – загнутые вперед лопасти, изготовлены из оцинкованной стали.

Двигатель – не требующий ухода, регулируемая скорость вращения, класс безопасности двигателя - IP 55, защитный выключатель On/Off.

Корпус - изготовлен из оцинкованной стали и двойных стенок, 50 мм изоляция, из минеральной ваты.

## Accessories

Single phase speed controller



TGRV p. 84

Three phase speed controller



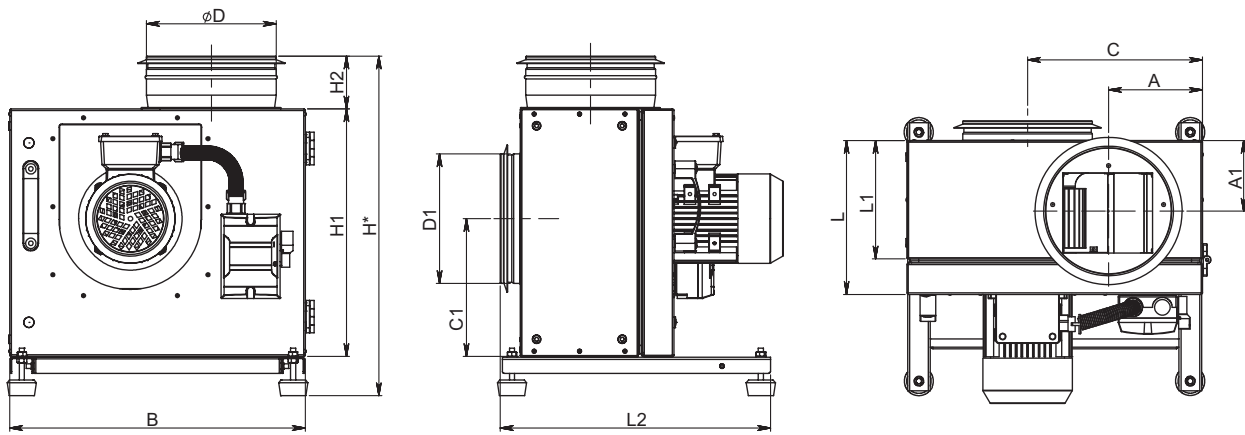
TGRT p. 85

Frequency inverter



FI p. 89

# KF T120



**SALDA**

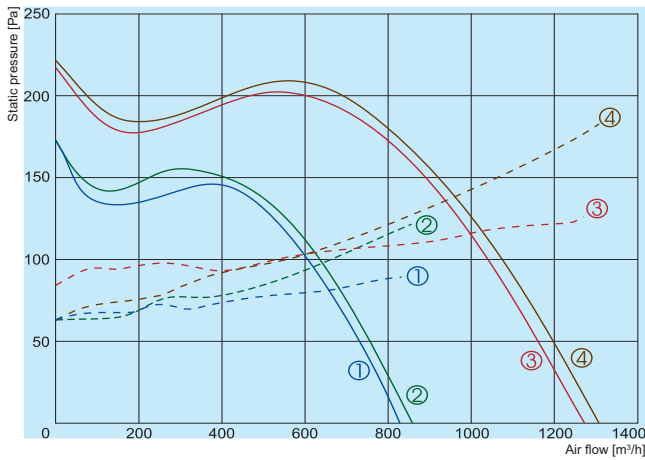
KITCHEN FANS

Type	Dimensions [mm]												
	$\phi D$	$\phi D_1$	L	L1	L2	H*	H1	H2	B	A	A1	C	C1
KF T120 160	200	200	228	173	414	496	355	80	413	123	109	237	195
KF T120 180	200	200	237	182	417	524	382	80	456	145	109	270	213
KF T120 200	200	200	250	196	500	548	407	80	484	145	117	287	228
KF T120 225	250	250	277	222	500	597	456	80	537	161	131	305	253
KF T120 250	315	315	290	136	620	651	500	90	577	170	146	342	278
KF T120 280	315	315	308	253	620	688	537	90	626	180	153	367	304
KF T120 315	315	315	298	242	620	752	600	90	695	195	142	410	339
KF T120 355	400	400	340	285	620	905	655	190	770	211	170	455	370
KF T120 400	400	400	358	298	620	890	640	190	750	202	170	450	355

Type	Accessories				
	TGRV	TGRT	In, A 1X230 V	In, A 3X230 V	In, A 3X400 V
KF T120 160-4L1	2	-	-	SV004iC5-1	SV004iG5A-4
KF T120 160-4L3	-	1	-	SV004iC5-1	SV004iG5A-4
KF T120 180-4L1	4	-	-	SV004iC5-1	SV008iG5A-4
KF T120 180-4L3	-	2	-	SV004iC5-1	SV008iG5A-4
KF T120 200-4L1	5	-	-	SV008iC5-1	SV015iG5A-4
KF T120 200-4L3	-	3	-	SV008iC5-1	SV022iG5A-4
KF T120 225-4L1	11	-	-	SV004iC5-1	SV004iG5A-4
KF T120 225-4L3*	-	3	-	SV004iC5-1	SV004iG5A-4
KF T120 250-4L1	14	-	-	SV004iC5-1	SV008iG5A-4
KF T120 250-4L3*	-	7	ODE-2-12037-1KB12	-	-
KF T120 280-4L3	-	11	ODE-2-12075-1KB12	-	-
KF T120 315-4L1	3	-	ODE-2-12075-1KB12	-	-
KF T120 315-4L3	-	1	ODE-2-12150-1KB12	-	-
KF T120 355-4L1	4	-	ODE-2-22220-1KB42	-	-
KF T120 355-4L3	-	2	ODE-2-12037-1KB12	-	-
KF T120 400-4L1	5	-	ODE-2-12075-1KB12	-	-
KF T120 400-4L3	-	3	ODE-2-12075-1KB12	-	-

\* performance operating area is limited. Do not exceed the normal current, additional overload protection is required.

# KF T120

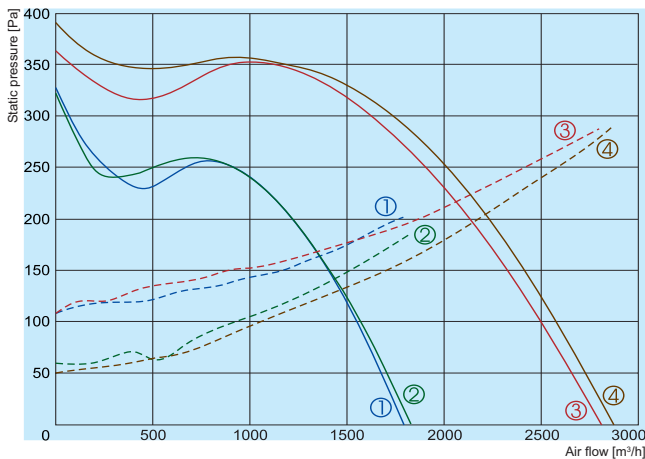


**NEW!**

- ① — KF T120 160-4L1
- ② — KF T120 160-4L3
- ③ — KF T120 180-4L1
- ④ — KF T120 180-4L3

— Performance  
 - - - Power consumption

		160-4L1	160-4L3	180-4L1	180-4L3
Voltage/Frequency	[V/Hz]	~1,230/50	~3,400/50	~1,230/50	~3,400/50
Power consumption	[kW]	0,22	0,18	0,4	0,29
Current	[A]	1,19	0,57	2,57	1,0
Speed	[min <sup>-1</sup> ]	1360	1310	1320	1340
Max. airflow	[m <sup>3</sup> /h]	839	849	1272	1303
Min/Max ambient air temperature	[°C]	-40/+40	-40/+40	-40/+40	-40/+40
Weight	[kg]	22	22	25	25
Wiring diagram		No.1	No.3	No.1	No.3
Protection class:	motor	IP-55	IP-55	IP-55	IP-55



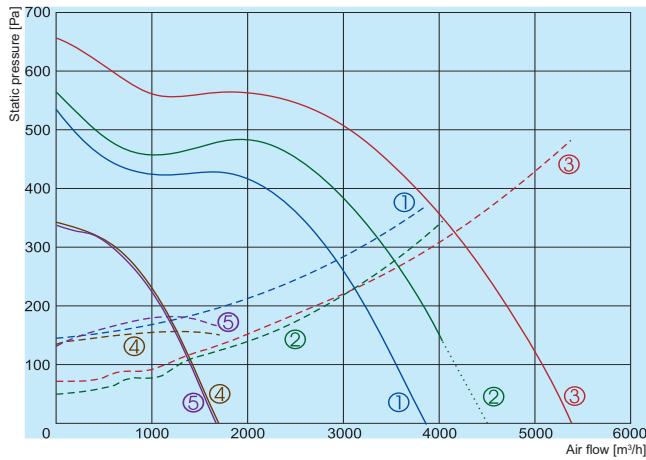
**NEW!**

- ① — KF T120 200-4L1
- ② — KF T120 200-4L3
- ③ — KF T120 225-4L1
- ④ — KF T120 225-4L3

— Performance  
 - - - Power consumption

		200-4L1	200-4L3	225-4L1	225-4L3
Voltage/Frequency	[V/Hz]	~1,230/50	~3,400/50	~1,230/50	~3,400/50
Power consumption	[kW]	0,57	0,54	0,97	0,98
Current	[A]	3,08	1,44	4,85	1,93
Speed	[min <sup>-1</sup> ]	1360	1390	1350	1350
Max. airflow	[m <sup>3</sup> /h]	1794	1826	2800	2881
Min/Max ambient air temperature	[°C]	-40/+40	-40/+40	-40/+40	-40/+40
Weight	[kg]	29	29	34	34
Wiring diagram		No. 1	No. 3	No. 1	No. 3
Protection class:	motor	IP-55	IP-55	IP-55	IP-55

# KF T120

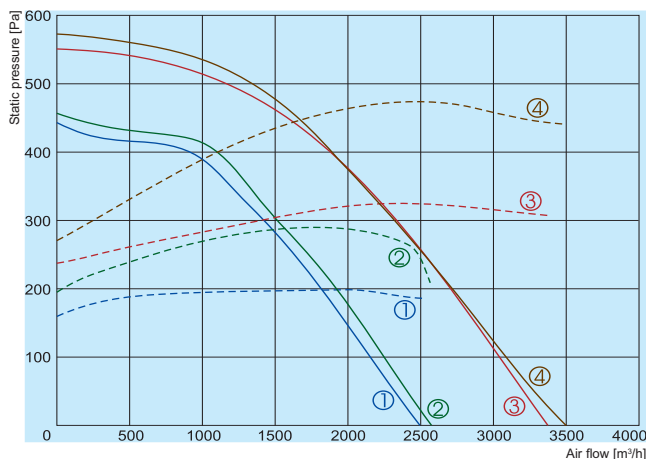


**NEW!**

- ① KF T120 250-4L1
- ② KF T120 250-4L3
- ③ KF T120 280-4L3
- ④ KF T120 315-4L1
- ⑤ KF T120 315-4L3

— Performance  
 - - - Power consumption  
 ..... Not operating zone

		250-4L1	250-4L3	280-4L3	315-4L1	315-4L3
Voltage/Frequency	[V/Hz]	~1,230/50	~3,400/50	~3,400/50	~1,230/50	~3,400/50
Power consumption	[kW]	1,84	1,69	2,75	0,32	0,18
Current	[A]	8,95	3,65	4,9	1,77	0,29
Speed	[min <sup>-1</sup> ]	1420	1400	1401	1350	1330
Max. airflow	[m <sup>3</sup> /h]	3860	3981	5391	1693	1676
Min/Max ambient air temperature	[°C]	-40/+40	-40/+40	-40/+40	-40/+40	-40/+40
Weight	[kg]	44	55	45	45	45
Wiring diagram		No.2	No.3	No.3	No.1	No.3
Protection class:	motor	IP-55	IP-55	IP-55	IP-55	IP-55



**NEW!**

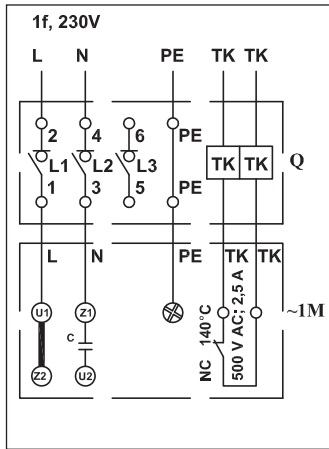
- ① KF T120 355-4L1
- ② KF T120 355-4L3
- ③ KF T120 400-4L1
- ④ KF T120 400-4L3

— Performance  
 - - - Power consumption

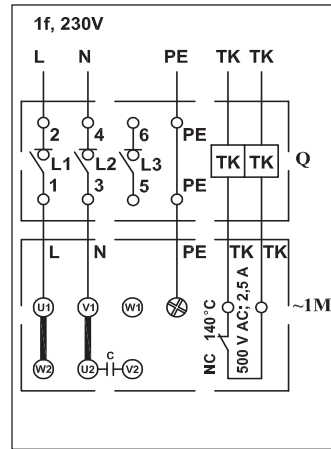
		355-4L1	355-4L3	400-4L1	400-4L3
Voltage/Frequency	[V/Hz]	~1,230/50	~3,400/50	~1,230/50	~3,400/50
Power consumption	[kW]	0,4	0,29	0,54	0,47
Current	[A]	2,5	0,98	3,05	1,45
Speed	[min <sup>-1</sup> ]	1320	1340	1360	1390
Max. airflow	[m <sup>3</sup> /h]	2499	2561	3374	3487
Min/Max ambient air temperature	[°C]	-40/+40	-40/+40	-40/+40	-40/+40
Weight	[kg]	53	53	56	56
Wiring diagram		No.1	No.3	No.1	No.3
Protection class:	motor	IP-55	IP-55	IP-55	IP-55

# KF T120

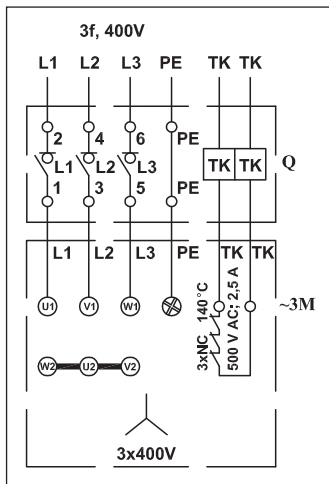
Wiring diagram No. 1



Wiring diagram No. 2



Wiring diagram No. 3



Q - switch  
M - fan motor